

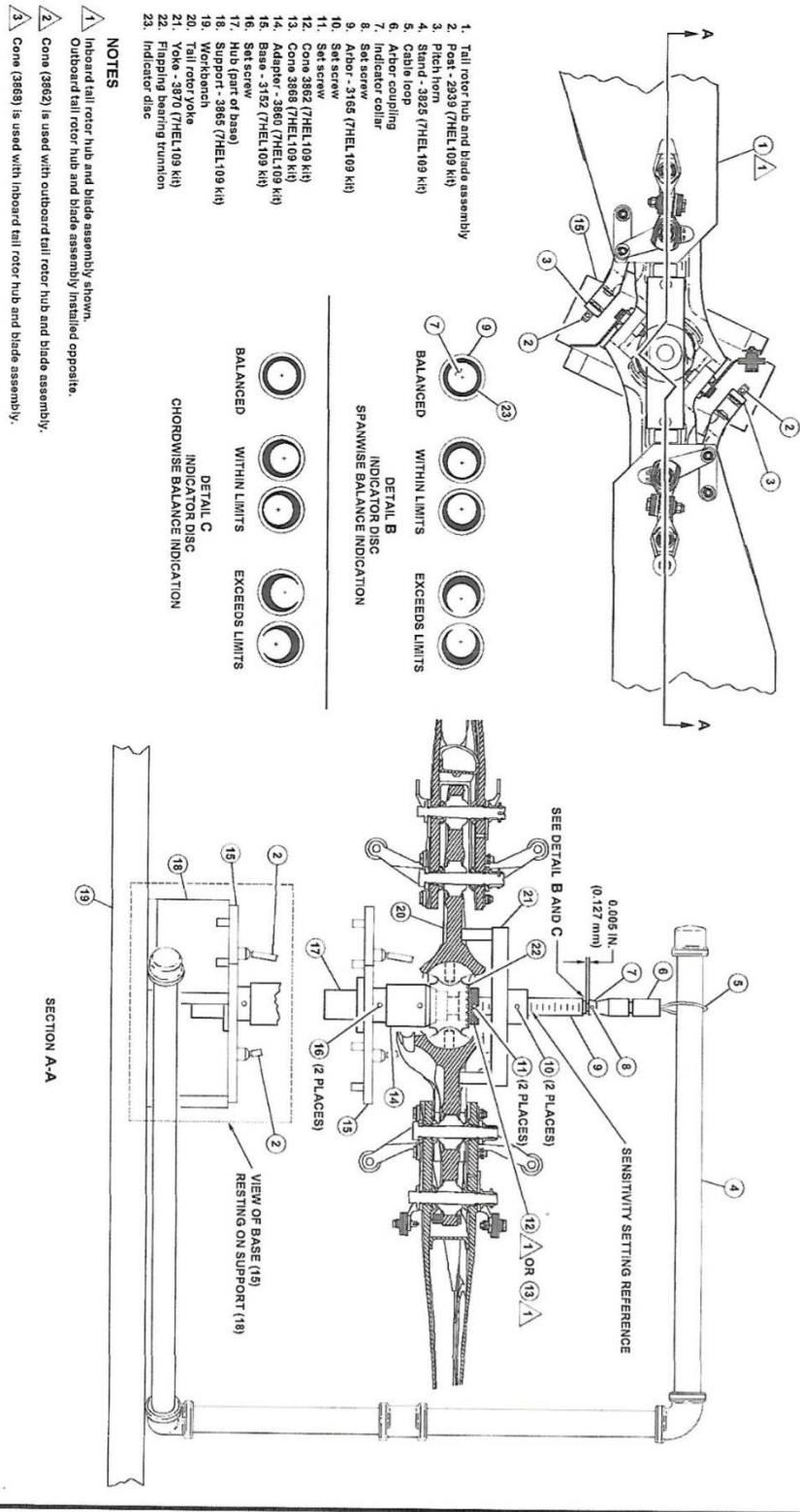


# Marvel

Manufacturing Company

40 North 2<sup>nd</sup> Street  
Stroudsburg, PA 18360 USA  
570-421-6221

# Bell 429 TR (image from Bell's maintenance manual)



**Bell Helicopter**  
A Textron Company

BHT-429-MM-1

Figure 64-10. Tail Rotor Hub and Blade Assembly — Static Balance

ECCN EAR99

10 MAY 2010 Rev. 3

64-00-00 Page 31